


PRODUCT SHEET

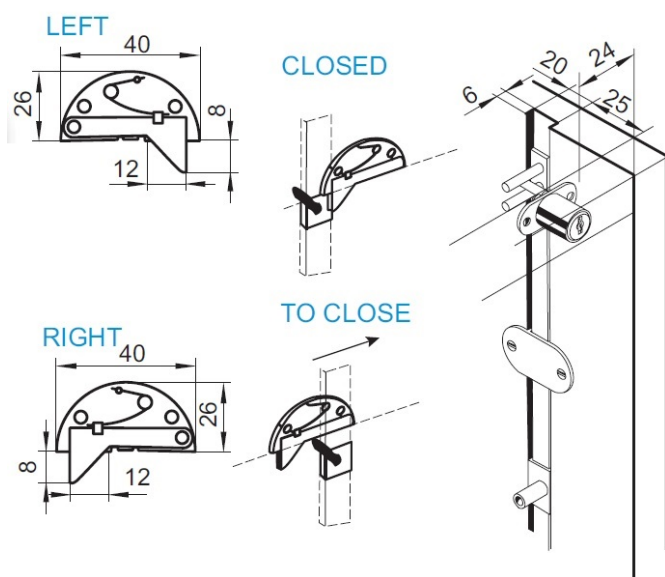
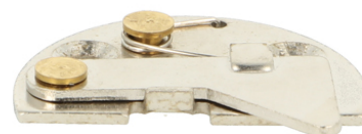
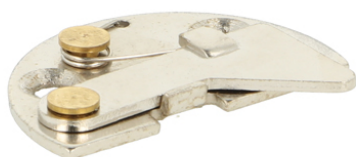
Description:

Drawer Stop 913-B, Left Hand Side Of Drawer, Steel, NPL

Item number:

14.02.030-1

Units	Box	Carton	HS Code	Barcode
Pcs.	500	1500	8302420090	
				5704866033848



SISO A/S

Mileparken 11
DK-2740 Skovlunde
Denmark
VAT: DK 24786013

Phone +45 45 830 900

www.siso.dk
siso@siso.dk

Danske Bank
Nytorv Branch
Copenhagen
SWIFT: DABADKKK

Account no.
4180 3112 112936
IBAN Account
DK7230003112112936